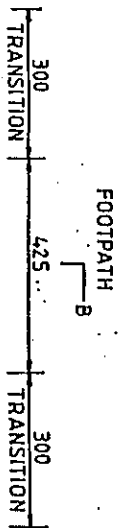
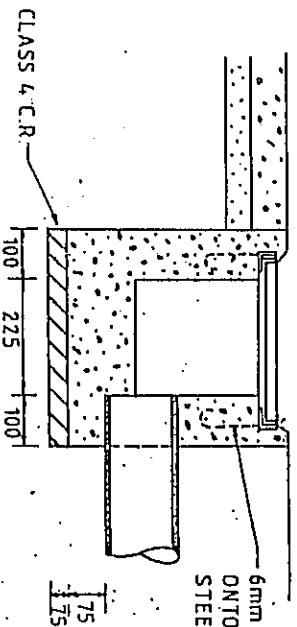
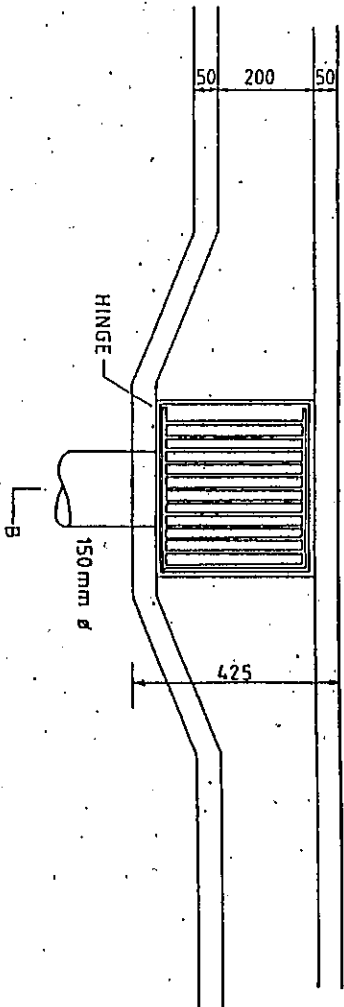


CROSS SECTION OF SPOON DRAIN AND FOOTPATH



FOOTPATH



SECTION 'BB'

6mm STEEL HOOK TO BE WELDED ONTO EACH CORNER OF THE STEEL FRAME 150mm LONG.

REVISIONS	
F	
E	
D	
C	
B	
A	

NOT TO SCALE

Shoite
MANAGER TECHNICAL SERVICES
JANUARY 2001

CARDINIA SHIRE COUNCIL

SPOON DRAIN INLET PIT

CSC-208