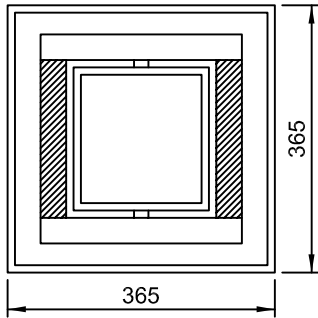
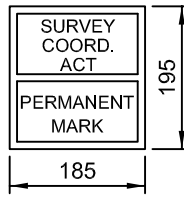


COVER & LID FOR SURVEY MARK TYPE "A1"

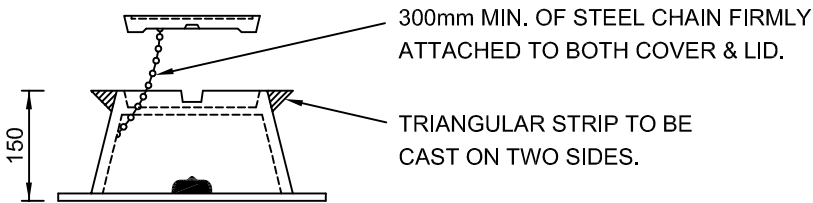


PLAN OF SURROUND

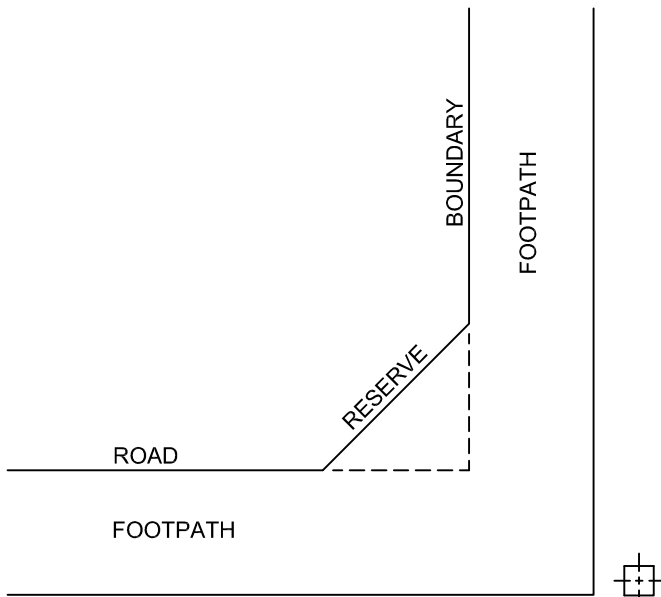


COVER DETAILS

CAST IRON LID FOR SURVEY MARK IS STANDARD AS SET OUT BY THE DEPT. OF CONSERVATION, FORESTS AND LAND.

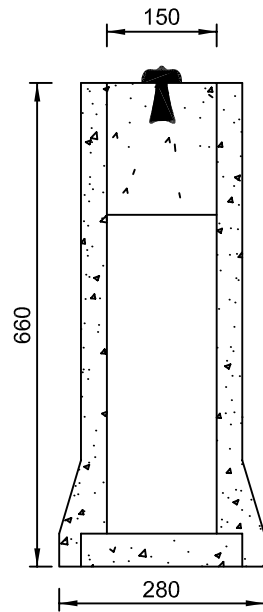


SECTION




PLAN

POSITION OF P.S.M.



BASE BLOCK SECTION

REVISIONS	F	
	E	
	D	
	C	
	B	
	A	
NOT TO SCALE		


 MANAGER ASSETS & DEVELOPMENT
 NOVEMBER 2003

CARDINIA SHIRE COUNCIL
PERMANENT SURVEY MARK

CSC-004